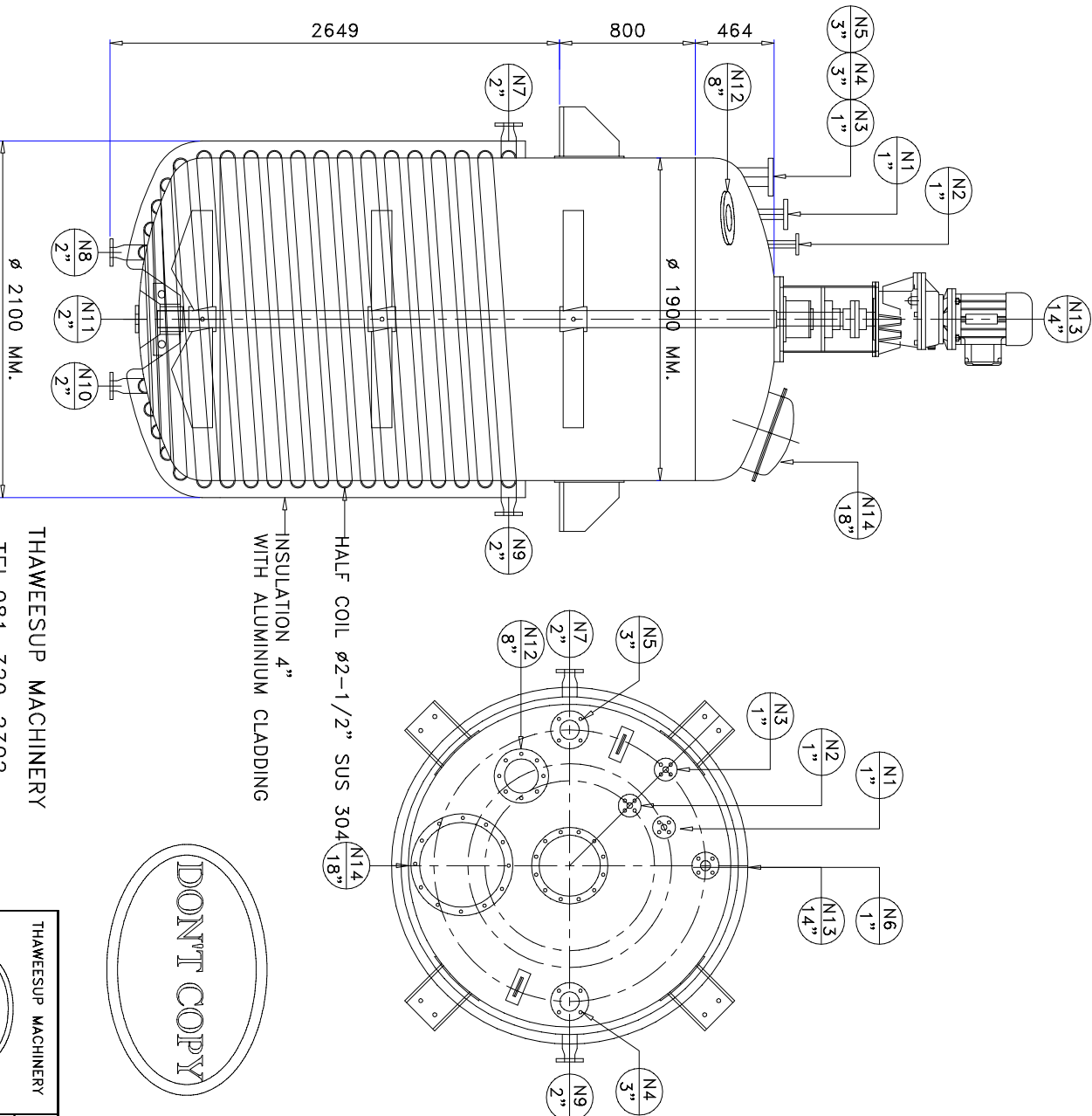
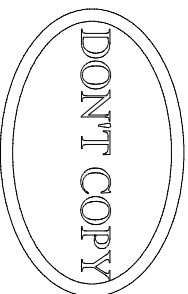


MIXING TANK CAP: 8000 L.



INSULATION 4"
WITH ALUMINIUM CLADDING

HALF COIL ϕ 2-1/2" SUS 304



DESIGN AND SPECIFICATION

MATERIAL (TANK/HALF COIL) : SUS 316/SUS 304
 DESIGN PRESSURE (TANK/HALF COIL) : 3.0 BAR/7.5 BAR
 WORKING PRESSURE (TANK) : 2.0 BAR
 WORKING PRESSURE (STEAM) : 5.5 BAR
 WORKING PRESSURE (COOL WATER) : 5.5 BAR
 MIXER UNIT : MOTOR GEAR 20 HP.(EEXD IIB T4)
 (MOTOR: MARELLI/HELICAL GEAR:FLENDER)

NO.	DESCRIPTION	SIZE	RATING	FACING	Q.TY	REMARK
N1	AIS INLET A	ϕ 1"	SO	RF	1	150 P
N2	AIS INLET B	ϕ 1"	SO	RF	1	150 P
N3	AIS INLET C	ϕ 1"	SO	RF	1	150 P
N4	SOLEVENT INLET	ϕ 3"	SO	RF	1	150 P
N5	SOLEVENT INLET	ϕ 3"	SO	RF	1	150 P
N6	SPARE	ϕ 2"	SO	RF	1	150 P
N7	STEAM INLET	ϕ 2"	SO	RF	1	150 P
N8	CONDENSADSE OUTLET	ϕ 2"	SO	RF	1	150 P
N9	WATER INLET	ϕ 2"	SO	RF	1	150 P
N10	WATER OUT LET	ϕ 2"	SO	RF	1	150 P
N11	PRODUCT OUT	ϕ 2"	SO	RF	1	150 P
N12	SIGHT GLASS	ϕ 8"	SO	RF	1	150 P
N13	AGITATOR	ϕ 14"	SO	RF	1	150 P
N14	MANHOLE	ϕ 18"	SO	RF	1	

THAWEESUP MACHINERY
 TEL.081-329-2302
 THAWEESUPGROUP.COM

THAWEESUP MACHINERY		PROJECT		MIXING TANK CAP: 8000 L		TITLE:		DETAIL DRAWING	
THAWEESUPGROUP.COM		CLIENT :				DATE :		DWG NO. :	
		DRAWN BY :						APPROVE BY:	
		CHECKED BY :		K. WICHIAN					